

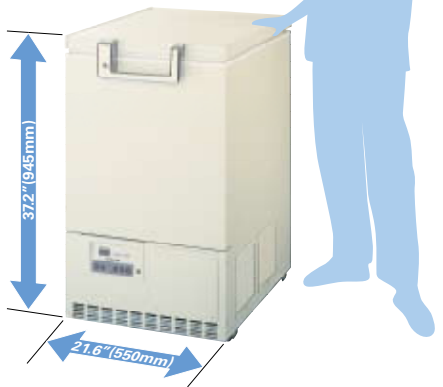
-80°C Ultra-Low Temperature VIP® PLUS™ Freezer - MDF-C8V

MDF-C8V

3.0 CU. FT.
(84L)

42 - 2"
30 - 3"

INVENTORY
BOXES



ULTRA LOW TEMPERATURE FREEZERS (VIP® PLUS™ INSULATION)

- Ideal -80°C freezing environment using new VIP® PLUS™ insulation technology maximizes storage capacity
- Newly developed single-compressor system achieves higher energy efficiency and space saving construction
- Convenient maintenance with filterless structure that makes filter cleaning unnecessary
- Microprocessor temperature control with digital input for precise setting and control.
- Built-in audible and visible temperature and power failure alarms

FEATURE	BENEFIT
New VIP® PLUS™ Technology	Patented revolutionary vacuum insulation cabinet construction that reduces the wall thickness from and achieves greater storage capacity while decreasing the footprint. Reduces power consumption by 40%.
Microprocessor Controls	Comprehensive setpoint, alarm, monitoring and diagnostic functions based on SANYO-built microprocessor controller with digital LED display.
SANYO Brand Refrigeration	Single-compressor system designed by SANYO specifically for demanding ultra-low temperature applications in a laboratory environment.
New Refrigeration Circuit	Filterless refrigeration circuit requires no cleaning or maintenance of filter and maintenance

TECHNOLOGY

- VIP® PLUS™ ■ Constant -80°C ■ Microprocessor Temperature Control ■ Temperature & Power Failure Alarms ■ LED Digital display

SANYO MDF-C8V ultra-low temperature freezer maintains internal temperatures as low as -80°C. All models use SANYO uniquely designed compressors for ultra-low temperature applications. Manufactured with VIP® PLUS™ insulation, they are ideally suited for use in laboratories and hospitals for long-term preservation and storage of blood, specimens and components, as well as materials testing.

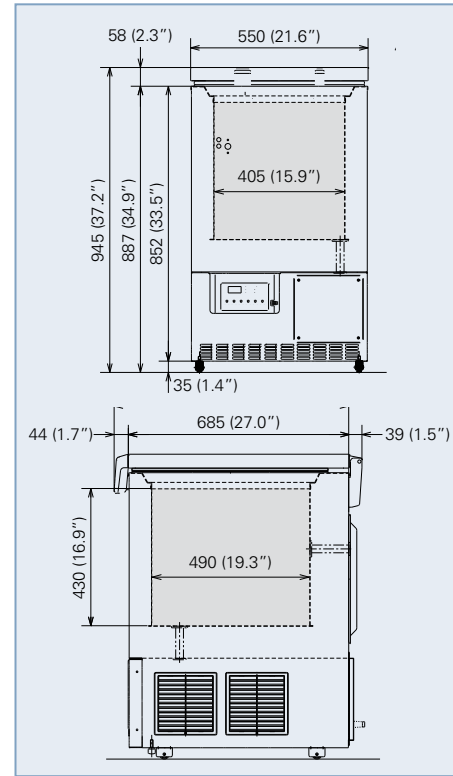
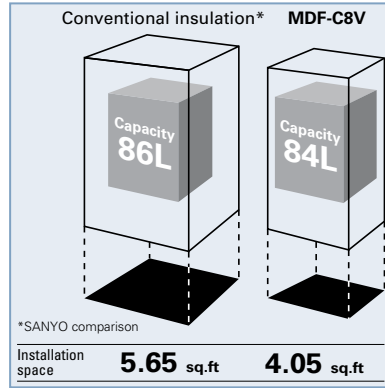
Advanced features include V.I.P. PLUS™ technology, a microprocessor based temperature control system with LED digital temperature display, a platinum resistance temperature sensor for extra precision and reliability, a power failure warning system with built-in audible and visible indicators, filterless refrigeration circuit, and temperature alarm.

EVOLUTIONARY DESIGN

- SANYO's most advanced insulation system V.I.P.[®] PLUS[™] enables reducing the thickness of insulation to approximately one half compared to conventional systems. Use of V.I.P. PLUS[™] insulation material on the front, left, and right sides enables a smaller installation space with exceptional storage capacity to foot print ratio.
- Newly developed single-compressor system achieves a space reduction and enables low-noise operation.
- Achieves 40% higher energy conservation than competing models with conventional insulation.
- New refrigeration circuit without filter makes the inconvenient customer maintenance procedure of filter cleaning unnecessary.

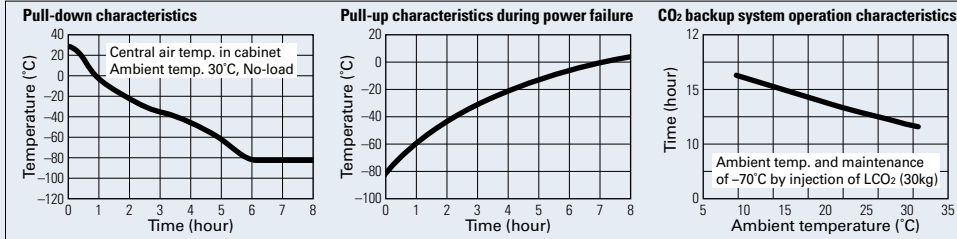
SAFETY & ALARM

- Alarm lamp and buzzer offer secure warning of power failure or abnormal temperature changes.
- High and low temperature warning provides an audible and visual alarm when the temperature deviates more than $\pm 5^{\circ}\text{C}$ to $\pm 20^{\circ}\text{C}$ (adjustable) from the set point.
- Alarm ring back function ensures that buzzer will resume operation should alarm conditions continue after it is silenced.
- Control panel with LED digital display for easy operation.



SANYO E&E America Company
 1062 Thorndale Avenue, Bensenville,
 IL 60106 USA
 Toll Free USA 800-858-8442 • Fax
 630-238-0074
 www.sanyobiomedical.com
 SANYO Canada, Inc.
 1- 300 Applewood Crescent,
 Concord, Ontario L4K 5C7
 905-760-4025 • Fax 905-760-9945

Performance Data



Specifications

Model	MDF-C8V
Temperature range	-60°C to -80°C (1°C increments)
Maximum cooling performance	-80°C (Ambient temp. 30°C)
Exterior dimension (W x D x H)	21.6" x 27.0" x 37.2" (550 x 685 x 945 mm)
Inner dimension	15.9" x 19.3" x 16.9" (405 x 490 x 430 mm)
Effective capacity	3.0cu.ft. (84 Liter)
Net weight	Approx. 67 kg (148lbs.)
Storage capacity	2" box: 42pcs. (SCR-072 x 6 racks) 3" Box: 30 pcs.
Outer door/Inner door	Outer Lid: 1piece, Inner Lid: 1piece
Insulation	New VIP [®] Plus [™] Rigid polyurethane foam (HC)
Cooling system	115V / 60 Hz / 1Phase NEMA 5-15P Plug
Compressor	Rotary type, Output: 400W (1/2 HP)
Refrigerant	HFC
Evaporator	Tube on sheet type
Alarm system	<ul style="list-style-type: none"> • High/Low temp. alarm (5°C to 20°C) • Power failure alarm • Remote alarm contact: DC30V, 2A

*Appearance and specifications are subject to change without notice.

*Cooling performance is indicated by the temperature reached at the center of the freezer (at ambient temperature of 30°C with no load), lowest temperature.

Options

LCO₂ Back-up system



CVK-UB4 (I)

Back-up system mounting kit
MDF-UBK

Temperature Recorder



MTR-C954

Inventory rack
SCR-072-I
SCR-053-I

